

# Easy to separate

Never leave  
without it.

## Separable cable glands

The separable cable gland allows easy and quick installation, for example, of pre-terminated cables with connectors. In an existing installation, a missing or defective cable gland can be replaced or supplemented without dismantling and interruption.

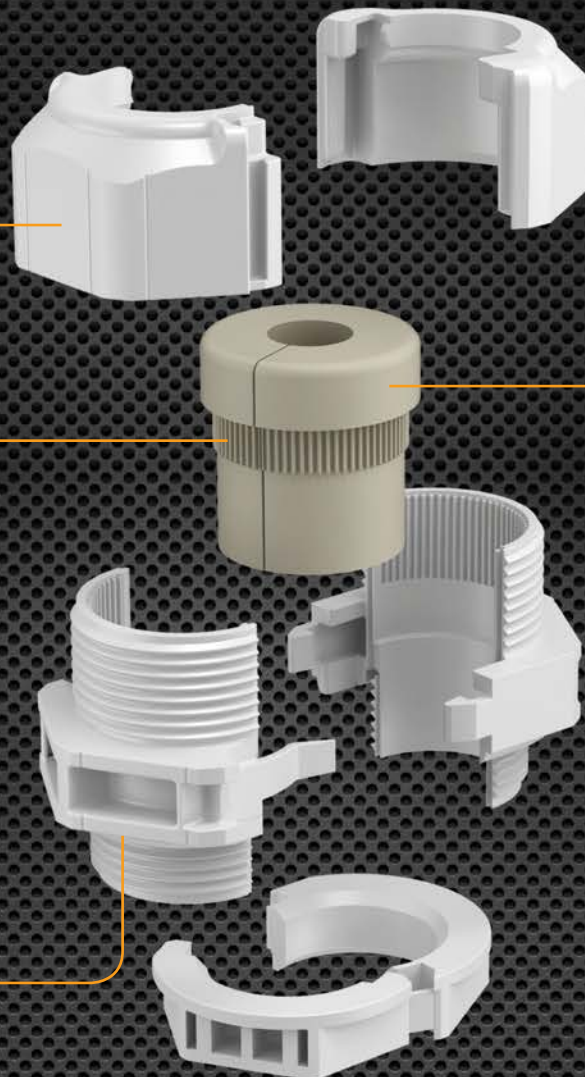
For repairs,  
reinstallation or  
preterminated  
cables

High sealability

IP  
67

Connection  
thread size  
M25 x 1.5

Sealing inserts:  
Closed, for single  
cables or multiple  
cables

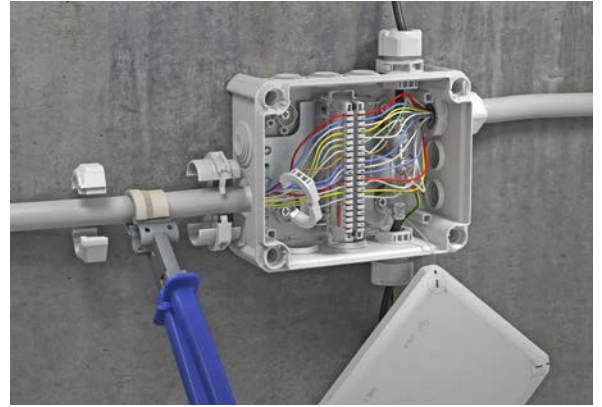


OBO BETTERMANN Customer Service  
Tel.: +49 (0)2373-89-0 · e-Mail: [export@obo.de](mailto:export@obo.de)  
[www.obo-bettermann.com](http://www.obo-bettermann.com)

**OBO**  
BETTERMANN

THINK CONNECTED.

# The new separable cable gland



IP 67



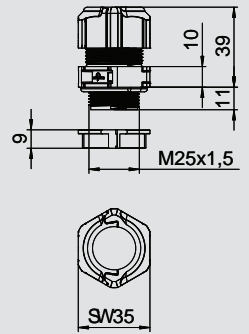
## Separable cable gland, sealing insert, closed

Type	Thread	Colour	Pack	Weight	Item no.
			Units	kg/100 pc.	
<b>V-TEC TB25</b>	M25 x 1.5	Light grey	5	3.44	<b>2024 91 0</b>

PC Polycarbonate

price/pc.

The closed sealing insert provides the option of individual drilling of the required sealing diameter(s). The spreading pliers are an ideal aid and can be used to open the sealing insert.



IP 67



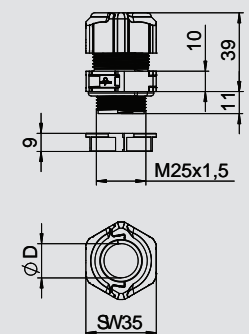
## Separable cable gland, sealing insert, 1 cable

Type	Thread	Sealing area D mm	Colour	Pack	Weight	Item no.
				Units	kg/100 pc.	
<b>V-TEC TB25 07-10</b>	M25 x 1.5	7-10.5	Light grey	5	2.90	<b>2024 91 3</b>
<b>V-TEC TB25 09-13</b>	M25 x 1.5	9-13	Light grey	5	3.11	<b>2024 91 6</b>
<b>V-TEC TB25 11-15</b>	M25 x 1.5	11.5-15.5	Light grey	5	2.98	<b>2024 91 9</b>
<b>V-TEC TB25 14-18</b>	M25 x 1.5	14-18	Light grey	5	2.51	<b>2024 92 2</b>
<b>V-TEC TB25 17-20</b>	M25 x 1.5	17-20.5	Light grey	5	2.29	<b>2024 92 5</b>

PC Polycarbonate

price/pc.

The various sealing inserts provide the option to seal cables of 7 to 20.5 mm, depending on the selected sealing insert. The spreading pliers are an ideal aid and can be used to open the sealing insert. Insertion of the individual cables becomes easy and quick.



IP 67



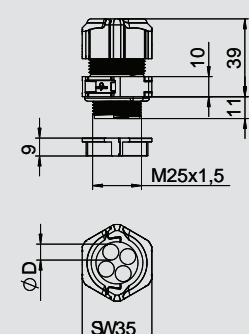
## Separable cable gland, sealing insert, multiple cables

Type	Thread	Number of drill holes	Dimension D mm	Colour	Pack	Weight	Item no.
					Units	kg/100 pc.	
<b>V-TEC TB25 3x9</b>	M25 x 1.5	3	9	Light grey	5	2.64	<b>2024 92 8</b>
<b>V-TEC TB25 4x8</b>	M25 x 1.5	4	8	Light grey	5	2.95	<b>2024 93 1</b>

PC Polycarbonate

price/pc.

When using a multiple sealing insert, several cables can be routed and sealed through a gland. Non-required drill holes have to be closed with a plug. The spreading pliers are an ideal aid and can be used to open the sealing insert. Further multiple sealing inserts upon request.



## Spreading pliers for sealing insert

Type	Pack	Weight	Item no.
	Units	kg/100 pc.	
<b>V-TEC TBZ</b>	1	26.00	<b>2024 90 0</b>

price/pc.

The spreading pliers are an ideal aid and can be used to open the sealing insert. Insertion of the individual cables becomes easy and quick. Place the cable into the spreading pliers, insert the spreading pliers into the seal separation and then open them. Now the cable can easily be placed into the seal.

