

The new Tele Defender generation
protection for telecommunication-systems



THINK CONNECTED.



High frequency bandwidth and high discharge capacity due to new technology

The new Tele Defender, offers with its high frequency bandwidth of up to 100 MHz, offers a wide range of applications for protection in telecommunication and measurement and control systems. With its new voltage and current limiting technology the Tele Defender allows high discharge durability for induced over voltages and for direct lightning currents.

Visual function display

One of the new features is an optical function display designed with a flashing LED. The function of the Tele Defender, can therefore be reviewed at any time.

Splash-water protected and easy to assemble

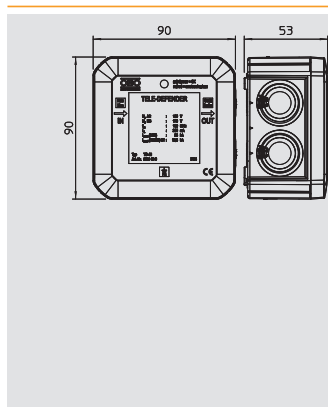
The IP54 protected housing is developed for the use in cellar areas. The self-sealing plastic in combination with the push-in terminals allow a quick and easy installation of the signal lines.

Variants

The Tele Defender is available in two versions: TD-4/I for the classical assembly in cellars, at building entrances to handle lightning currents or the TD 4/D-TAE-F with F-coded TAE plug for the wall mounting in living areas. So the end device, for example a DSL splitter, can be simple installed by plug and play.



Surge protection for telecommunication systems



Tele-Defender

Type	Max. continuous operating voltage Vc/AC V	Max. continuous operating voltage Vc/DC V	Number of poles	Connection system	Pack. pcs	Weight kg/100 pcs.	Item No.
TD-4/I	120	170	4	Terminal	1		5081 69 0

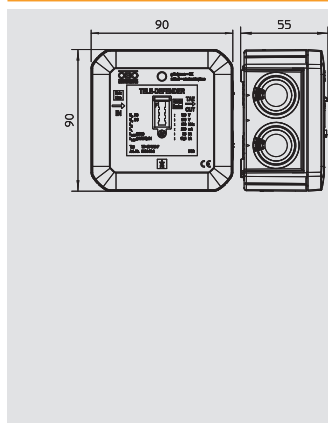
Plastic /pc.

Data cable protection devices for telecommunications equipment

- Low protection level at a high current load
- "Push-In" clamps for quick installation
- Bandwidth-optimised for secure transmission
- Surface mounting
- Optical function display

Application: DSL systems, ISDN or analogue telecommunications

IP 54	LPZ 0→3	ISDN	DSL
--------------	----------------	-------------	------------



Tele-Defender TAE

Type	Max. continuous operating voltage Vc/AC V	Max. continuous operating voltage Vc/DC V	Number of poles	Connection system	Pack. pcs	Weight kg/100 pcs.	Item No.
TD-4/I-TAE-F	120	170	4	Terminal	1		5081 69 2

Plastic /pc.

Data cable protection devices for telecommunications equipment

- Low protection level at a high current load
- "Push-In" clamps for quick installation
- Bandwidth-optimised for secure transmission
- Pre-installed TAE-socket for Plug & Play
- Surface mounting
- Optical function display

Application: DSL systems, ISDN or analogue telecommunications

IP 20	LPZ 0→3	ISDN	DSL
--------------	----------------	-------------	------------



		TD-4/I	TD-4/I-TAE-F
Maximum continuous voltage Vc/AC	V	120	120
Maximum continuous voltage Vc/DC	V	170	170
Lightning protection Zone LPZ		0→2	0→2
Number of poles		4	4
Nominal load current IL AC	A	0,14	0,14
Nominal load current IL DC	A	0,2	0,2
Capacity (wire-wire)		< 50 pF	< 50 pF
Capacity (wire-earth)		< 10 pF	< 10 pF
Serial impedance per path	Ω	9Ω ± 10 %	9Ω ± 10 %
Total arrester peak current (8/20)	kA	25	25
Total impulse durability (10/350)	kA	D1: 12,5	D1: 12,5
Protection level line-line (1a-ab/2a-2b)	V	300	300
Protection level line-earth (1a-ab/2a-2b-PE)	V	650	650
Protection level shield-earth (S-PE)	V	850	850
Temperature range	θ °C	-40 - +80	-40 - +80
Installation type		Surface-mounted	Surface-mounted
Protection rating		IP53	IP20
Shielding connection available		Yes	Yes
Shield connection		Indirect	Indirect
Connection cross-section, flexible	mm ²	0,14 - 0,75	0,14 - 0,75
Connection cross-section, multi-wire	mm ²	0,14 - 0,75	0,14 - 0,75
Connection cross-section, rigid	mm ²	0,14 - 0,75	0,14 - 0,75
Item No.		5081 69 0	5081 69 2

www.obo-bettermann.com



OBO BETTERMANN GmbH & Co. KG

P.O. Box 1120
58694 Menden, Germany

Customer Service Germany

Tel. +49 (0)2373 89-1500
Fax +49 (0)2373 89-7777
E-mail: info@obo.de

THINK CONNECTED.